

COBRA REMOTE MANUAL R.I.V. ROOF TURRET

FDD050

- Lightweight Aluminum Construction
- Compact Design
- Aspirated & Non-Aspirated Nozzles



Description

The Feecon Remote Manual R.I.V. Roof Turret is a compact, low flow, aluminum turret for use in discharging foam solution or water at flow rates from 75 GPM (285 LPM) to 500 GPM (1900 LPM). The turret is controlled and aimed by the operator from within the vehicle cab.

The Feecon Remote Manual R.I.V. Roof Turret is designed for easy installation into a vehicle cab roof using a pre-drilled flat panel and a grooved water inlet connection. The compact design installs easily in many current one-ton size vehicle cab roofs.

Turret discharge is controlled by a push-button switch, located at the end of the directional control handle, which actuates a customer supplied discharge valve solenoid. The discharge pattern, fan/straight stream, is manually controlled by the Pattern Control Handle. The fan/straight stream capability allows the operator to change the discharge pattern from full fan to a straight stream without shutting off flow.

This turret is capable of 60° elevation, 15° depression and may be rotated 105° left or right of center.

A storage lock is provided in the vehicle cab which enables the operator to lock the turret in place during transport or when the turret is not in use.

Features

- Compact design
- Air aspirating or non-aspirating nozzle
- Flow rates to 500 GPM (1900 LPM)
- Directional control handle mounted momentary discharge switch
- Travel storage lock

Technical Specifications

The remote manual turret shall be capable of one man operation from within the cab area. The turret shall be capable of discharging either foam or water. The dispersed pattern function shall be infinitely variable from solid stream to flat fan pattern. The turret shall have a water inlet connection, above the cab roof, located at the base of the turret.

The turret shall be uniformly counter-balanced in all nozzle positions to minimize the operating force required to position the turret. An automatic drain valve is provided, for installation by the user, to self drain the turret waterway after the discharge valve is closed. The turret shall have a storage lock in the vehicle cab for locking the turret in place during transport.

The turret shall be constructed of lightweight aluminum.

Technical Information

Material of Construction:

Aluminum

Operating Pressure:

200 PSI (14 Bar)

Flow:

Available in flow rates from 75 GPM (285 LPM) to 500 GPM (1900 LPM)

Agent Capabilities:

Water, AFFF, Class A, or compressed air foam

Nozzle Type:

Aspirating or non-aspirating

Angle:

Rotation:

210° (105° either side of turret centerline)

Elevation:

60° above horizontal

Depression:

15° below horizontal

Electrical Requirements:

Momentary contact switch with contact rating of 1 amp

Inlet Connections:

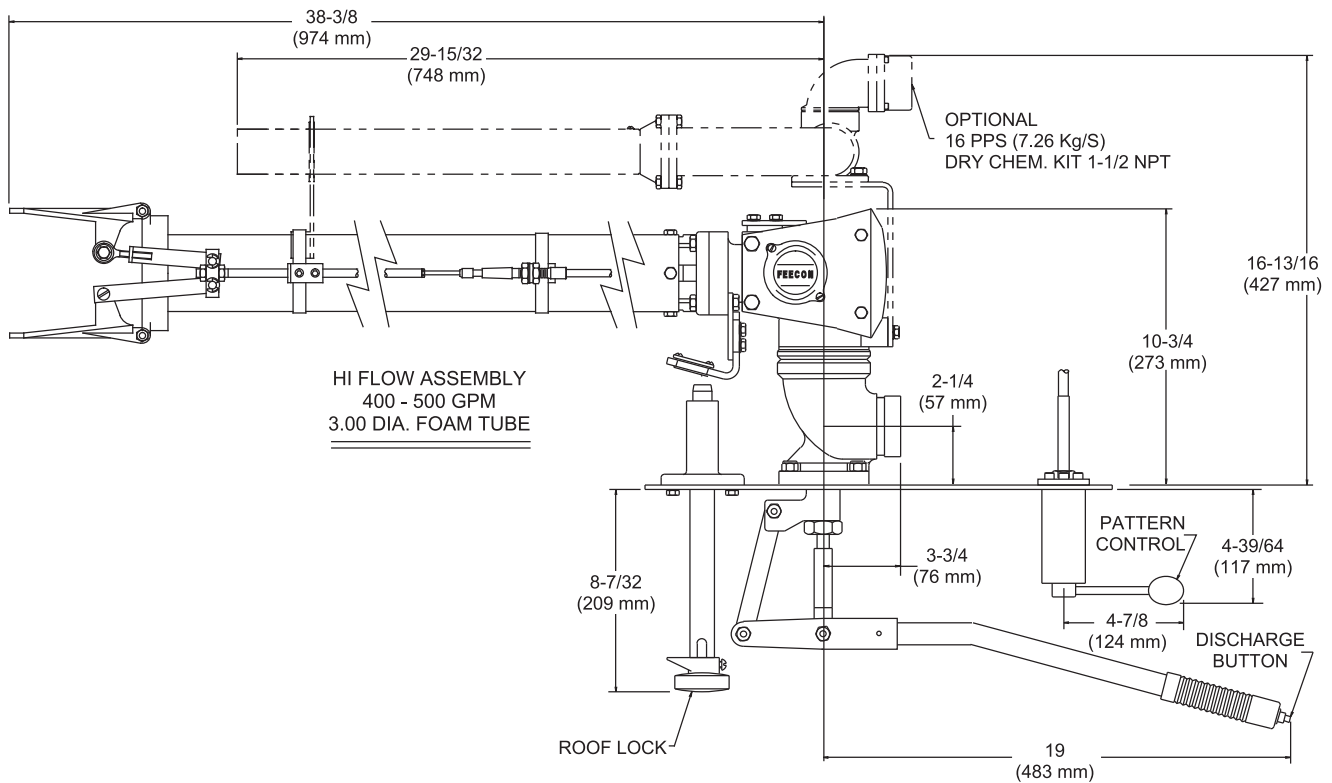
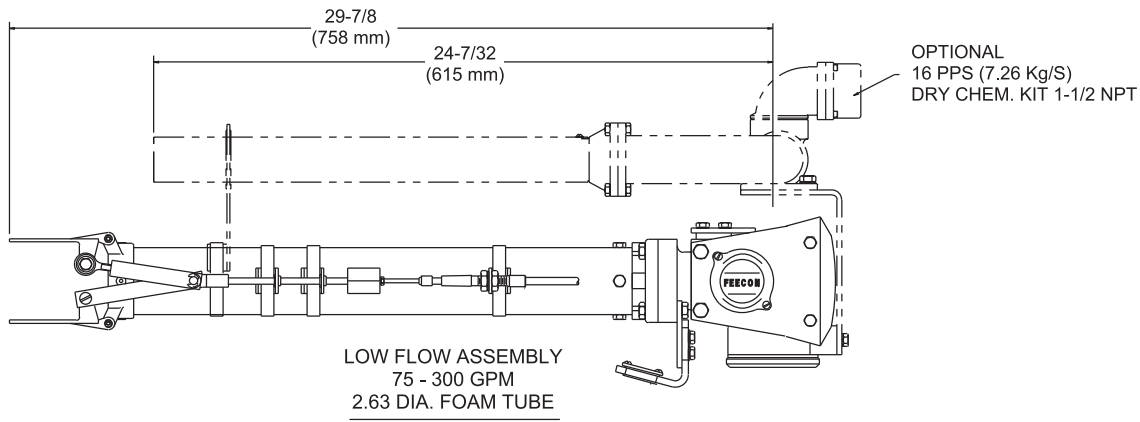
- 2 in. (51 mm) up to 300 GPM (1150 LPM)
- 2½ in. (63 mm) for flows over 300 GPM (1150 LPM)

Options

- Bolt-on dry chemical nozzle: 16 lb/sec (7 Kg/sec) at 200 PSI (14 bar)
- Dual rate 250/500 non-aspirating nozzle.

COBRA REMOTE MANUAL R.I.V. ROOF TURRET

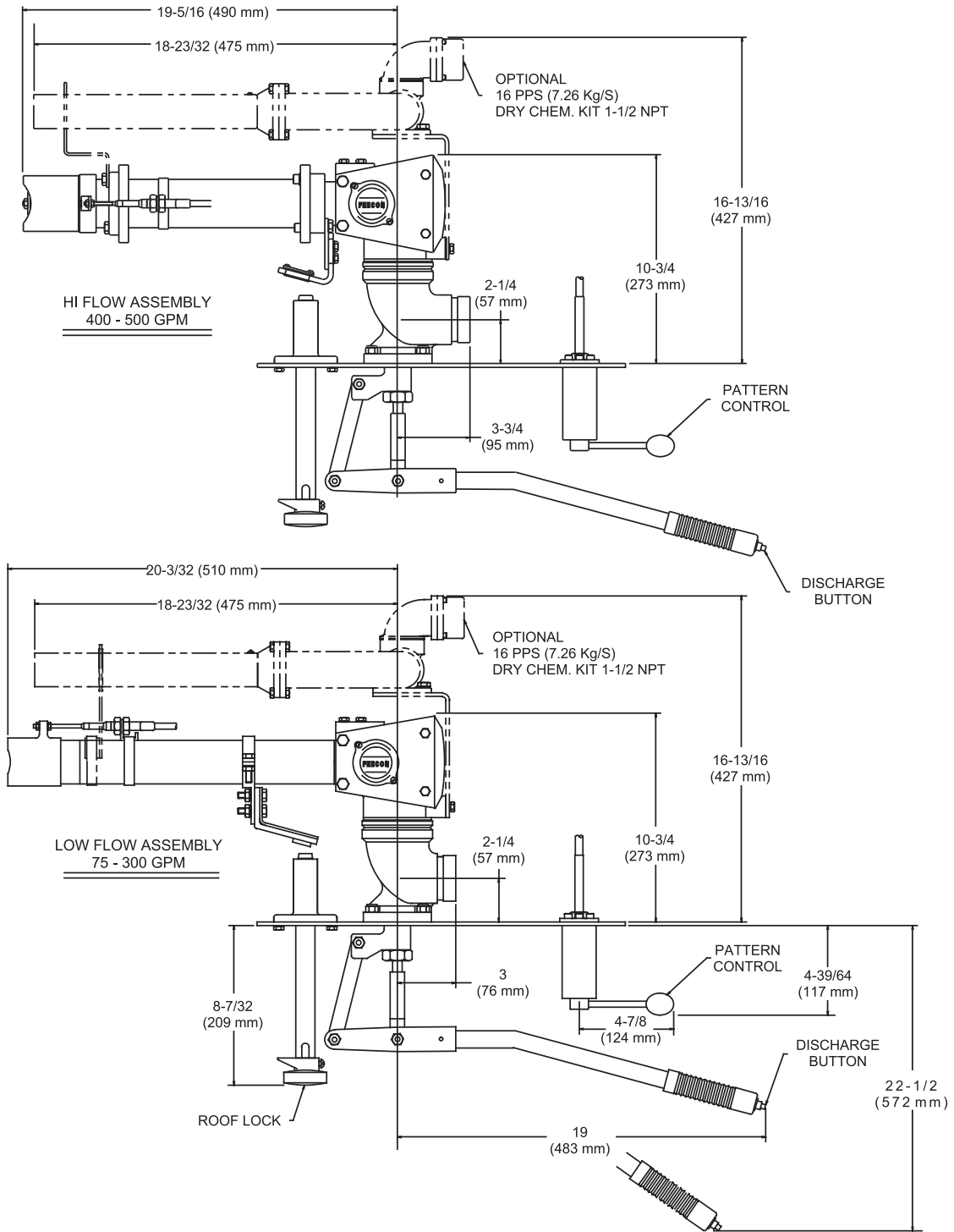
FDD050



REMOTE MANUAL R.I.V. ASPIRATED ROOF TURRET

COBRA REMOTE MANUAL R.I.V. ROOF TURRET

FDD050



REMOTE MANUAL R.I.V. NON-ASPIRATED ROOF TURRET

COBRA REMOTE MANUAL R.I.V. ROOF TURRET

FDD050

ORDERING INFORMATION			
Part Number	Vic Base Inlet	Flow Rate gpm (lpm) @ psi (Bar)	Paint
Aspirating:			
1252-7100-1	2.0"	75 GPM (285 LPM)	Primer
1252-7110-0	2.0"	100 GPM (380 LPM)	Primer
1252-7120-0	2.0"	150 GPM (570 LPM)	Primer
1252-7130-0	2.0"	200 GPM (760 LPM)	Primer
1252-7140-0	2.0"	250 GPM (950 LPM)	Primer
1252-7150-0	2.0"	300 GPM (1150 LPM)	Primer
1252-7160-0	2.5"	400 GPM (1525 LPM)	Primer
1252-7170-0	2.5"	500 GPM (1900 LPM)	Primer
3217-7011-8		DC Kit for Asp up to 300 GPM	
3217-7011-7		DC Kit for Asp over 300 GPM	
Non-Aspirating:			
1252-7105-0	2.0"	75 GPM (285 LPM)	Primer
1252-7115-0	2.0"	100 GPM (380 LPM)	Primer
1252-7125-0	2.0"	150 GPM (570 LPM)	Primer
1252-7135-0	2.0"	200 GPM (760 LPM)	Primer
1252-7145-0	2.0"	250 GPM (950 LPM)	Primer
1252-7155-0	2.0"	300 GPM (1150 LPM)	Primer
1252-7165-0	2.5"	400 GPM (1525 LPM)	Primer
1252-7175-0	2.5"	500 GPM (1900 LPM)	Primer
1252-7175-2	2.5"	.250/500 GPM (950/1900 LPM)	Primer
3217-7011-6		DC Kit for Non-Asp up to 300 GPM	
3217-7011-9		DC Kit for Non-Asp over 300 GPM	