

DRY CHEM HANDLINE NOZZLES

FDD090

- Light Weight Durable Aluminum Construction
- Extremely Compact
- One Piece Pistol Grip Aluminum Body
- Swivel Thread Connection
- Integral Shut-Off Valve
- Powder Coated Finish/Hardcoat Anodized Tube
- 5 -7 pps Flow



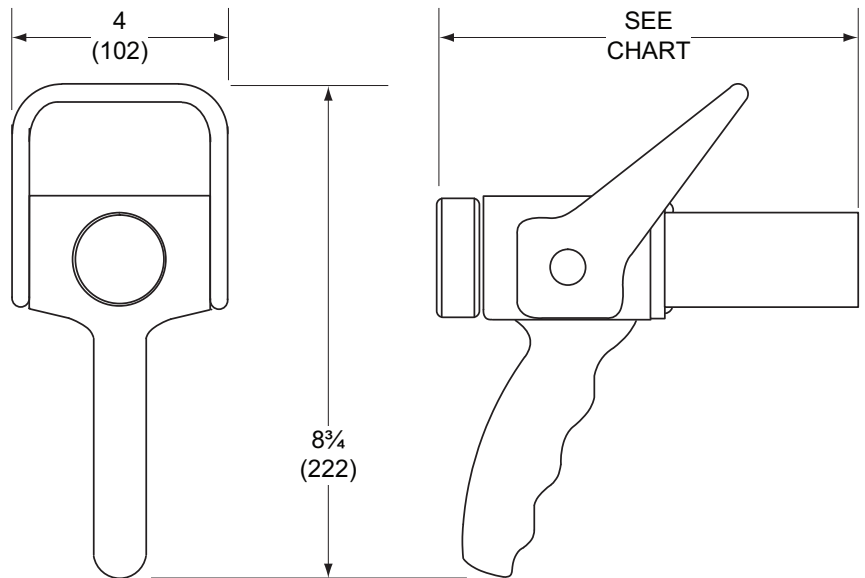
Description

The Feecon Dry Chem Handline Nozzle is a no nonsense, lightweight, compact nozzle. The nozzle body and handle are constructed of heat treated aluminum, and powder coated for a long-lasting finish. The threaded swivel inlet and shut-off valve are constructed of anodized aluminum. The shut-off handle easily operates the ball valve at normal discharge pressures. The discharge rate of this nozzle is 5-7 pps.

The dry chemical agent is delivered in an effective stream reaching 70 feet (21 meters) at 100 psi (7 bar) when discharging five pounds per second (2.3 kg/s).

Features

- Light weight
- Hardcoat anodized tube
- Extremely compact
- One piece pistol grip aluminum body
- Integral valve
- Straight bore design



ORDERING INFORMATION

Part Number	Flow at 100 PSI (7 Bar)	Swivel Connection	
		Inch (mm)	Length Inch (mm)
3220-6046-5	5 pps (2.3 kg/s)	1" FNH (25)	12 (305)
3220-6047-0	7 pps (3.1 kg/s)	1" FNH (25)	12 (305)
3220-6046-6	5 pps (2.3 kg/s)	1" FNH (25)	7 (178)