

MMB-3 X 2 1/2" (GS) MANUAL BRASS MONITOR

NDD230

- Suitable For All Nozzles Including Long Tube Air Aspirated Nozzles
- Full 3" Waterway With Stream Straighteners
- Low Friction Loss
- Flows Up To 1250 GPM (4800 LPM)



Description

The MMB-3 x 2-1/2 (GS) manually operated brass monitor provides unparalleled performance with simple, yet rugged, design features that provide ease of operation, low maintenance, and resistance to normally destructive environments. They are suitable for use with all foam concentrate types in either salt or fresh water. The monitor is provided with a gas spring counterbalance with weather protection bellow to offset the weight of the air aspirating foam nozzles.

Features

- Cast brass construction for better corrosion resistance
- Integrally cast straightener vanes in each elbow section to reduce waterway turbulence and friction loss
- Full 3" waterway
- Vertical and horizontal joints have internal brake band position locks
- Suitable for operating pressures from 50 to 250 psi (3.5 to 17.2 bar)
- Swivel joints are ball bearing type equipped with O-ring seals to prevent water leakage
- Monitor is designed to eliminate effects of nozzle thrust reaction
- Full 360° continuous rotation
- Angle of elevation is infinitely adjustable from 60° below to 90° above horizontal
- Gas spring type counterbalance to offset weight of air aspirating type foam nozzles

Applications

The MMB-3 x 2-1/2 (GS) monitors are commonly used for protection of flammable liquid storage tanks, dikes, and loading racks. They can also be used in marine applications, such as on tankers and chemical carriers as well as docks, piers, and offshore platforms.

Specifications

The monitor shall be of a single waterway, cast design with integrally cast straightener vanes in each elbow section to reduce waterway turbulence and friction loss. All waterways shall be a full 3" (76.2 mm) diameter and shall be capable of flowing a maximum of 1250 GPM (4800 LPM) with a pressure loss not exceeding 10 psi at a flow of 800 GPM (0.69 bar at 3028 LPM). Monitor body shall be manufactured from cast brass [ASTM B585/C83600 (85-5-5-5)] to provide a rugged design requiring minimum maintenance and superior corrosion resistance to normally destructive environments. Monitor shall have a 3" 150 lb ASA flat face inlet flange and the outlet shall be 2-1/2" NH (NST) male hose thread. The monitor shall have continuous rotational travel through 360°. Vertical travel (up and down) shall be 90° above to 60° below horizontal with tapped holes provided to stop travel past 45° above and at 0° horizontal. Vertical and horizontal swivel joints shall incorporate an internal brake band lock mechanism capable of holding position against a 95 foot-pound torque with a 50 inch-pound torque applied to the position locking knob. Swivel joints shall be a single race type with brass ball bearings and Buna-N O-ring seals to prevent water leakage

through the swivel, or dust, dirt, and other foreign matter from entering the ball bearing race.

The nozzle thrust reaction shall travel through the vertical axis of the rotational joint and through the horizontal axis of the elevation joint, thus eliminating any "pinwheel" effects due to torque acting on the swivel joints. Each monitor shall be supplied with a removable handle. Monitor shall have provisions for counterbalancing air aspirating type foam nozzles and shall be supplied standard with the gas spring type counterbalance.

Technical Data

Material of Construction:

Basic Monitor: Cast Brass, ASTM B585/C83600 (85-5-5-5)
 Ball Bearings: Brass ASTM B134
 O-Rings: Buna-N
 Handle: Brass ASTM B16
 Misc. Hardware: Brass ASTM B16, Stainless Steel ASTM A276

Gas Spring:

Cylinder Body: Carbon Steel ASTM A519 Epoxy Coated
 Cylinder Rod: Stainless Steel ASTM A276
 Bellows: Polyurethane

Connections:

Inlet: 3"-150# ASA FF Flange
 Discharge: 2-1/2" MNH
 Max. Flow: 1250 GPM (4800 LPM)
 Max. Operating Pressure: 250 PSI (17.2 Bar)

MMB-3 X 2 1/2" (GS) MANUAL BRASS MONITOR

NDD230

Pressure Loss:

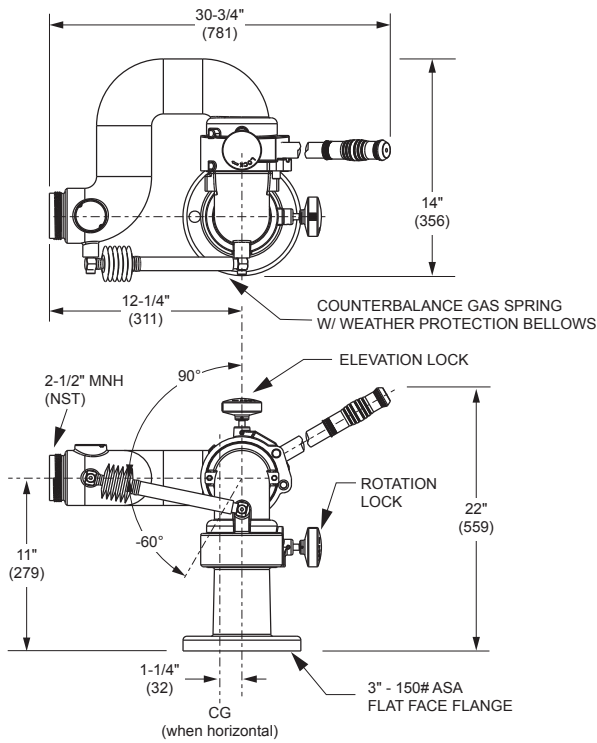
- 10.0 PSI @ 800 GPM (0.69 Bar @ 3028 LPM)
- 4.5 PSI @ 500 GPM (0.31 Bar @ 1893 LPM)
- 2.0 PSI @ 300 GPM (0.14 Bar @ 1136 LPM)

Finish:.....Red polyurethane

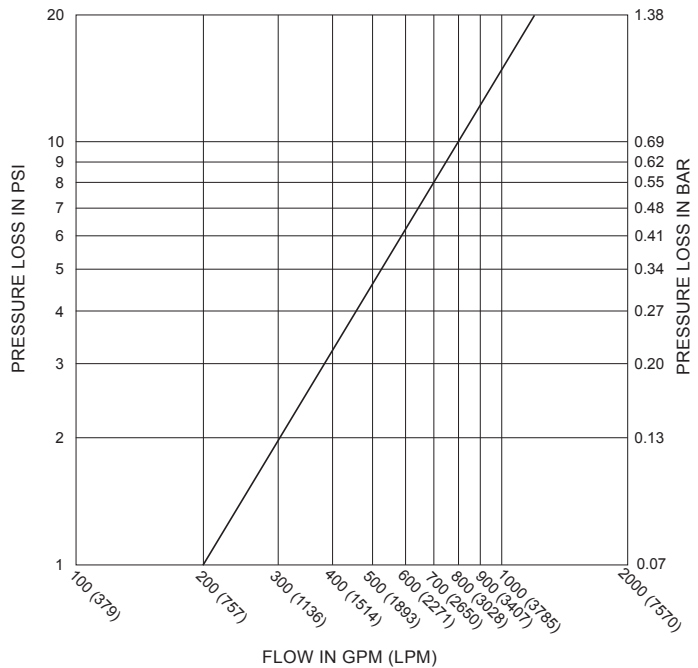
enamel paint

Weight:.....80 lbs. (36 Kg.)

Options: NPSH hose threads



**MODEL MMB-3 X 2-1/2 GS MONITOR
PRESSURE LOSS VS FLOW**



ORDERING INFORMATION

Part Number	Description	LBS	(Kg)
1252-0001-7	MMB-3 x 2-1/2" (GS) Manual Brass Monitor	80	(36)