

SINGLE FOAM TOTE TRAILER

NME070

- Direct Nozzle Concentrate Pick-Up Connection To Tote Tank
- Will Carry Either 275 Or 330 Gallon Tote Tanks
- For Use With Self-Educting Nozzles Up To 1250 GPM
- DOT Compliant



Description

The Foam Tote Trailer provides large storage capacity of foam concentrate along with the high performance delivery of The Gladiator® nozzle in a complete firefighting package. The trailer is for use with single tote tanks in either the 275 gallon or the 330 gallon size. This portable firefighting package provides plenty of flexibility and fire power to your arsenal, and is available with a variety of options which allow you to pick, choose and custom build to suit your needs. Totally self contained and ready to put into service at a moment's notice.

Features

- Direct nozzle concentrate pick-up connection to tote tank
- Stainless steel trailer deck rub rails on trailer deck for tote positioning
- Bright aluminum tread plate
- Hose bins both sides
- Non-slip deck surface at monitor base
- Quick-release tank securing system
- 3" in-line butterfly valve in monitor riser
- Trailer is fully DOT compliant and road-ready

Applications

The Tote Trailer is an ideal alternative to the handling of drums or pails or relying on a foam tanker during a major flammable liquid incident. With the pre-piped trailer mounted monitor, it can be placed into action immediately upon arrival on the scene, and does not require special positioning since the monitor piping allows for the water supply to be connected to either side of the trailer.



Stainless Steel Rub Rails And Quick Action Clamp



Constructed Of Bright Aluminum Tread Plate



500, 750 or 1000 gpm Gladiator Nozzle For Class A Or B Foam



Direct Tank Hook-Up To Nozzle



Optional Dual Agent Nozzle (Foam/Dry Chemical)



Optional Vinyl Cover

SINGLE FOAM TOTE TRAILER

NME070

Specifications

- 7000 GVWR Trailer with electric brakes on both axles. (Surge hydraulic brakes optional)
- 7,000 pound capacity drop-foot front jack and dual 5,000 pound capacity swing-down rear jacks for stabilization
- 2-5/16" Ball Hitch
- Pre-piped MMA 3 x 2-1/2 aluminum monitor with any 2-1/2" Gladiator Nozzle, 500 to 1000 GPM
- Water inlet connections either side
- 3-inch Butterfly Valve with long neck gear operator
- Quick tote connector for replacing empty tote with full tote
- Aluminum hose bins either side with capacity for 100 feet of 3 inch hose.

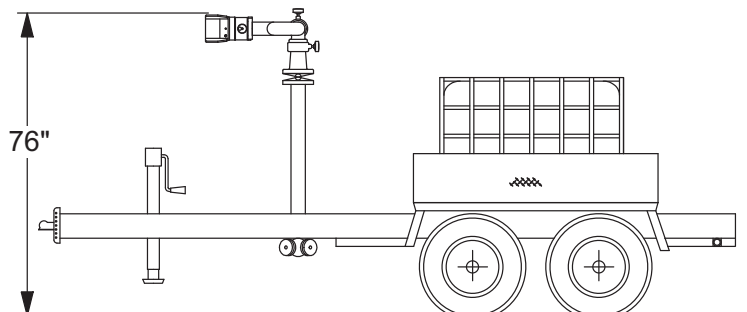
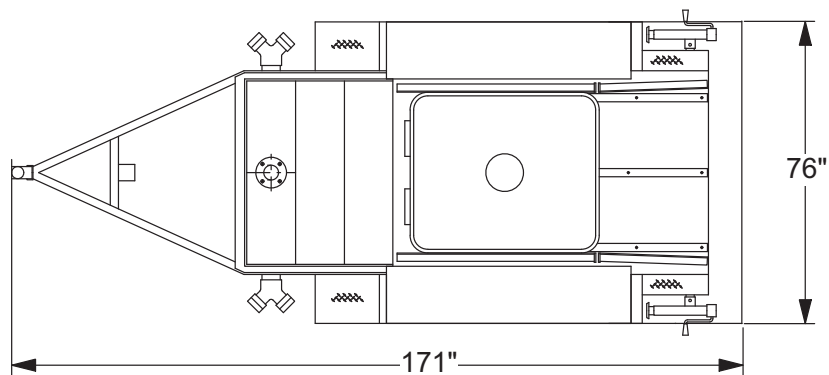
Options

- Red vinyl tote cover
- 2-1/2" Gladiator Nozzle 500 gpm fixed, metering, or tri-flow
- 2-1/2" Gladiator Nozzle 750 gpm fixed 1% or 3%
- 2-1/2" Gladiator Nozzle 1000 gpm fixed 1% or 3%
- 2-1/2" Gladiator Nozzle 1250 gpm fixed 3%

- Dry-Chemical Gladiator Nozzle attachment with flows up to 30 pounds per second available
- Hose bin mounted line proportioners available
- Monitor inlet piping available in dual Storz connections

Note:

Foam concentrate and tote not included as part of trailer. Foam concentrate and tote must be ordered separately.



Ordering Information

Base 7000 GVWR trailer with electric brakes, swing-down jacks, inlet adapters (as noted below with description), pre-piped MMA 3 x 2-1/2 monitor with any 2-1/2 Gladiator Nozzle 500 to 1000 GPM, 3 inch butterfly valve, quick-connect tote connections, two aluminum hose bins, and pressure/vacuum vent.

Single Tote Trailer

5100-1000-1AF	Single Tote Trailer	(2) Siamese 4" FNPT x 2.5" FSWNH
5100-1000-2AF	Single Tote Trailer	(2) Adapter 4" FNPT x 4" MNH
5100-1000-3AF	Single Tote Trailer	Adapter 4" FIPT Inlet x 4" Storz
5100-1000-4AF	Single Tote Trailer	Adapter 4" FNPSH Inlet x 5" Storz

Trailer Options:

1292-2000-1	Cover, Red Vinyl for 275 or 300 Gallon Tote
-------------	---

Note: Trailers above do not include foam tote or foam concentrate.