

# DUAL FOAM TOTE TRAILER

NME080

- Direct Nozzle Concentrate Pick-up Connection From Both Front And Rear Tote Tanks
- Will Carry Either 275 Or 330 Gallon Tote Tanks
- For Use With Self-Educting Nozzles Up To 1000 GPM
- DOT Compliant



## Description

The Dual Foam Tote Trailer provides a large storage capacity for foam concentrate along with the high performance delivery of the Gladiator® nozzle in one complete fire fighting package. The trailer is for use with dual tote tanks in either the 275 gallon or 330 gallon size. This portable fire fighting package provides plenty of flexibility and fire extinguishing power to your arsenal, and is available with a variety of options which allow you to customize your trailer to suit your needs. National Foam Tote Trailers are totally self contained, needing only a source of water to be put in service at a moments notice.

## Features

- Direct nozzle concentrate pick-up connection from both front and rear tote tanks
- Stainless steel slide rails on trailer deck to allow easier movement of full tote tanks.
- Quick release tie-down bars for both tote tanks.
- Bright aluminum tread plate hose bins and fenders on both sides of trailer.
- Non-slip deck surface at monitor base
- 3" in-line butterfly valve in monitor riser
- Trailer is fully DOT compliant and road-ready

## Applications

The Tote Trailer is an ideal alternative to the handling of drums or pails, or relying on a foam tanker during a major flammable liquid incident. With the pre-piped, trailer mounted monitor, it can be placed into action immediately upon arrival on the scene, and does not require special positioning since the monitor piping allows for the water supply to be connected to either side of the trailer.



**Stainless Steel Rub Rails And Quick Action Clamp**



**Constructed Of Bright Aluminum Tread Plate**



**500, 750 or 1000 gpm Gladiator Nozzle For Class A Or B Foam**



**Direct Tank Hook-Up To Nozzle**



**Optional Dual Agent Nozzle (Foam/Dry Chemical)**



**Optional Vinyl Cover**

# DUAL FOAM TOTE TRAILER

NME080

## Specifications

- 10,000 GVWR Trailer with electric brakes on both axles (Surge hydraulic brakes optional)
- 7,000 pound capacity drop-foot front jack and dual 5,000 pound capacity swing-down rear jacks for stabilization
- 2-5/16" Ball Hitch
- Pre-piped MMA 3 x 2-1/2 aluminum monitor with any 2-1/2" Gladiator Nozzle, 500 to 1000 GPM. Water inlet connections either side
- 3-inch Butterfly Valve with long neck gear operator
- Quick-action tank connectors for front and rear tote tanks, with remote valve at monitor platform for rear tank
- Aluminum hose bins located above fenders are suitable for storage of 2-1/2", 3", 4" or 5" hose

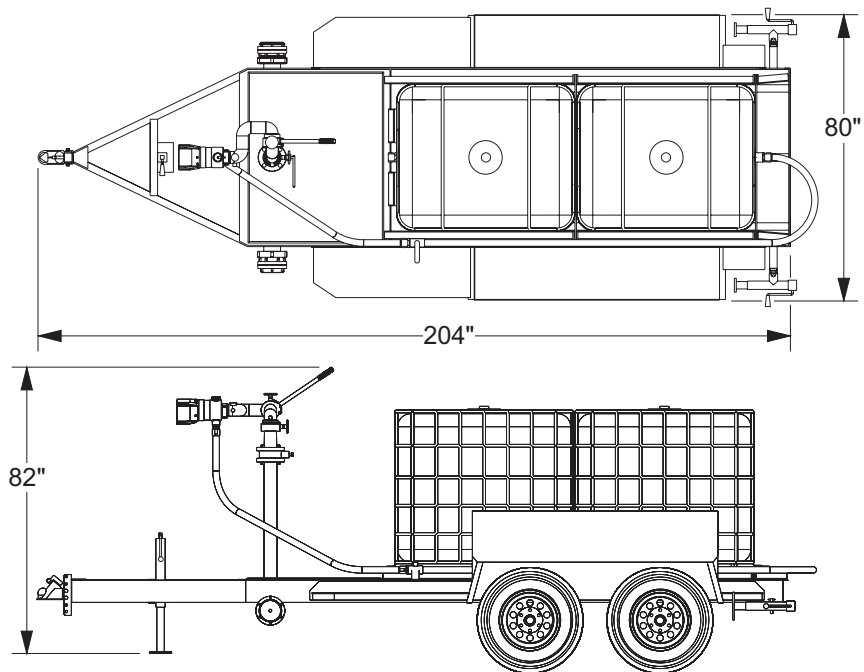
## Options

- Red vinyl tote cover
- 2-1/2" Gladiator Nozzle 500 GPM fixed, metering, or tri-flow
- 2-1/2" Gladiator Nozzle 750 GPM fixed 1% or 3%
- 2-1/2" Gladiator Nozzle 1000 gpm fixed 1% or 3%

- 2-1/2" Gladiator Nozzle 1250 GPM fixed 3%
- Dry-Chemical Gladiator Nozzle attachment with flows up to 30 pounds per second available
- Hose bin mounted line proportioners available
- Monitor inlet piping available in dual Storz connections

## Note:

- Foam concentrate and tote not included as part of trailer. Foam concentrate and tote must be ordered separately.



## Ordering Information

Dual Tote Trailer - Base 10,000 GVWR trailer with electric brakes, swing-down jacks, inlet adapters (as noted below with description), pre-piped MMA 3 x 2-1/2 monitor with any 2-1/2 Gladiator Nozzle 500 to 1000 GPM, 3 inch butterfly valve, quick-connect tote connections, and two aluminum hose bins.

## Single Tote Trailer

|                  |   |                                   |
|------------------|---|-----------------------------------|
| 5100-2000-1      | Dual Tote Trailer                           | (2) Siamese 4" FNPT x 2.5" FSWNH  |
| 5100-2000-2      | Dual Tote Trailer                           | (2) Adapter 4" FNPT X 4" MNH      |
| 5100-2000-3      | Dual Tote Trailer                           | Adapter 4" FIPT Inlet x 4" Storz  |
| 5100-2000-4      | Dual Tote Trailer                           | Adapter 4" FNPSH Inlet x 5" Storz |
| Trailer Options: |   |                                   |
| 1292-2000-2      | Cover Red Vinyl, for 275 or 330 gallon tote |                                   |

**Note:** Trailers above do not include foam tote or foam concentrate.