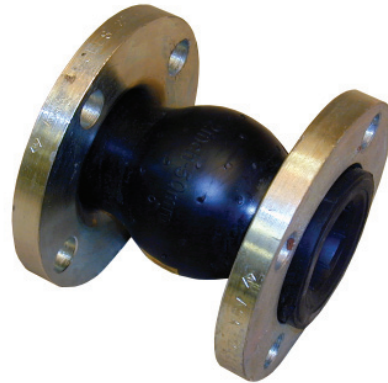


FLEXIBLE CONNECTOR

NPR320

- Protects Equipment From Vibration During Operation
- Compact Between Flange Design
- Protects Poly Tanks From Unnecessary Piping Stress



Description

The National Foam Flexible Connector is a precision molded fitting which serves as an expansion joint to absorb pipe movement between the foam concentrate storage tank and foam system piping, and eliminates the stress imposed on the foam concentrate tank connections due to piping misalignment. The connectors can also be utilized to eliminate noise and vibration generated by pumps and motors.

Features

- High quality neoprene rubber tube and cover, and nylon tire cord reinforcing construction
- Superior to braided metal connectors at absorbing vibration and noise generated by mechanical equipment
- Spherical design acts as a free flowing arch, reducing turbulence and sediment build up
- Zinc plated steel floating flanges rotate easily to speed installation

Applications

National Foam Flexible Connectors are commonly used between polyethylene storage tanks and foam system piping, and at the inlet and outlet connections to diesel driven foam concentrate pumps.

Specifications

The flexible connector shall be a single sphere expansion joint. The connector shall be constructed with a neoprene tube and cover, and nylon tire cord reinforcing. The unit shall be manufactured to meet or exceed the pressure, movement, and dimensional ratings of the Rubber Expansion Joint Division, Fluid Sealing Association. The expansion joint shall have 150# FF flanged connections. Flanges shall be the floating type, constructed of zinc plated steel, and shall be recessed to engage the rubber beaded end of the expansion joint.

Technical Data

Materials of Construction:

Body Elastomer:
Neoprene with Nylon and Steel Reinforcement

Flanges:
Zinc Plated Carbon Steel

Connections:

150# FF Flanged - Floating

Operating Pressure:

225 psi (16 bar) @ 170°F

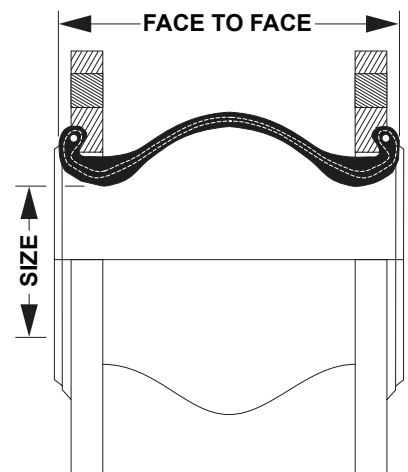
Max. Operating Temperature:

Up to 230°F with reduced operating pressures (contact factory for details)

Vacuum Rating:

26 in. Hg

Size (Inches)	Face to Face (Inches)	Movement Ratings				Weight (Lbs)
		Compression (Inches)	Elongation (Inches)	Lateral (Inches)	Angular Degree	
1-1/2	6	1/2	3/8	1/2	15	6.0
2	6	1/2	3/8	1/2	15	9.0
2-1/2	6	1/2	3/8	1/2	15	12.0
3	6	1/2	3/8	1/2	15	14.0
4	6	3/4	1/2	1/2	15	18.0
5	6	3/4	1/2	1/2	15	23.0
6	6	3/4	1/2	1/2	15	27.0



FLEXIBLE CONNECTOR

NPR320

ORDERING INFORMATION

Part Number	Description
9218-8270-5	1-1/2" Flex Connector w/ 150# Flgd Steel Ends, 6" Long
9218-8271-0	2" Flex Connector w/ 150# Flgd Steel Ends, 6" Long
9218-8271-5	2-1/2" Flex Connector w/ 150# Flgd Steel Ends, 6" Long
9218-8272-0	3" Flex Connector w/ 150# Flgd Steel Ends, 6" Long
9218-8272-5	4" Flex Connector w/ 150# Flgd Steel Ends, 6" Long
9218-8273-0	6" Flex Connector w/ 150# Flgd Steel Ends, 6" Long

National Foam

350 East Union Street, West Chester, PA 19382, USA
24hr **RED ALERT**[®]: 610-363-1400 • Fax: 610-431-7084

www.nationalfoam.com

National Foam operates a continuous program of product development. The right is therefore reserved to modify any specification without prior notice and National Foam should be contacted to ensure that the current issues of all technical data sheets are used.

© National Foam