

## HALOTRON™ HANDLINE NOZZLES

FDD080

- Light Weight
- Extremely Compact
- One Piece Aluminum Body
- Feecon Models DANA Or SA Nozzles



### Description

The Feecon Model DANA Nozzle, is a no nonsense, light-weight, compact nozzle. Originally designed for use with foam/water and dry chemical, it has now been redesigned to deliver Halotron instead of dry chemical. The nozzle body and handles are constructed of heat treated aluminum and powder coated for a long lasting finish. The threaded swivel inlets and shut-off valves are constructed of anodized aluminum. The shut-off handles easily operate ball valves at normal discharge pressures.

All O-rings and gaskets are the highest rated compatible material for Halotron. The discharge rate of this nozzle is 5 - 7 PPS, and foam solution rates up to 100 GPM. The foam discharge nozzle is infinitely adjustable between a straight stream and a fog pattern.

### Features

- Light weight
- Extremely compact
- One piece aluminum body

### Technical Data

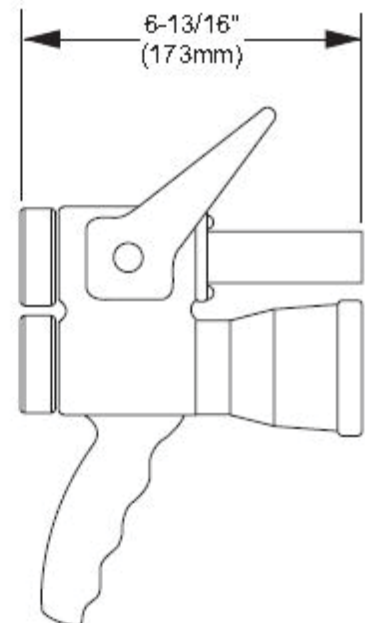
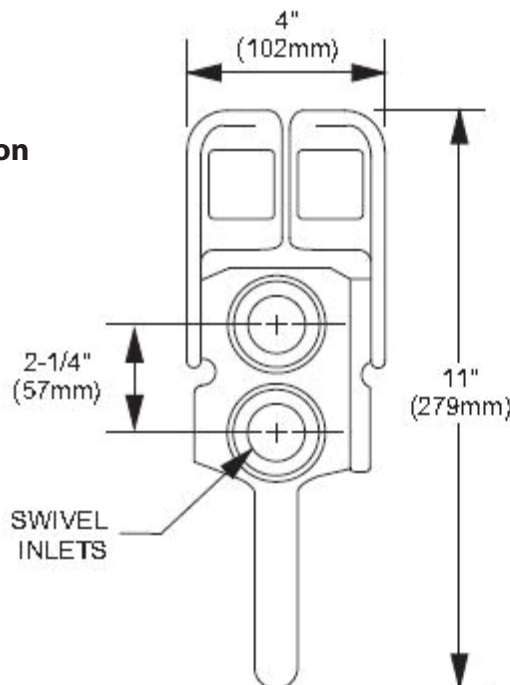
*Weight:* ..... 4 lbs.

*Length:* ..... 6-13/16"

### *Inlet Connection:*

Aluminum swivel coupling

### Model DANA Halotron Non-Aspirating



## HALOTRON™ HANDLINE NOZZLES

FDD080

### Description

The Feecon Model SA Nozzle is a no nonsense, lightweight, compact nozzle. Originally designed for use with dry chemical, it has now been redesigned to deliver Halotron. The nozzle body and handle are constructed of heat treated aluminum and powder coated for a long lasting finish. The threaded swivel inlet and shut-off valve are constructed of anodized aluminum. The shut-off handle easily operates the ball valve at normal discharge pressures. All O-rings and gaskets are the highest rated compatible material for Halotron. The discharge rate of this nozzle is 5 - 7 PPS.

### Features

- Light weight
- Extremely compact
- One piece aluminum body

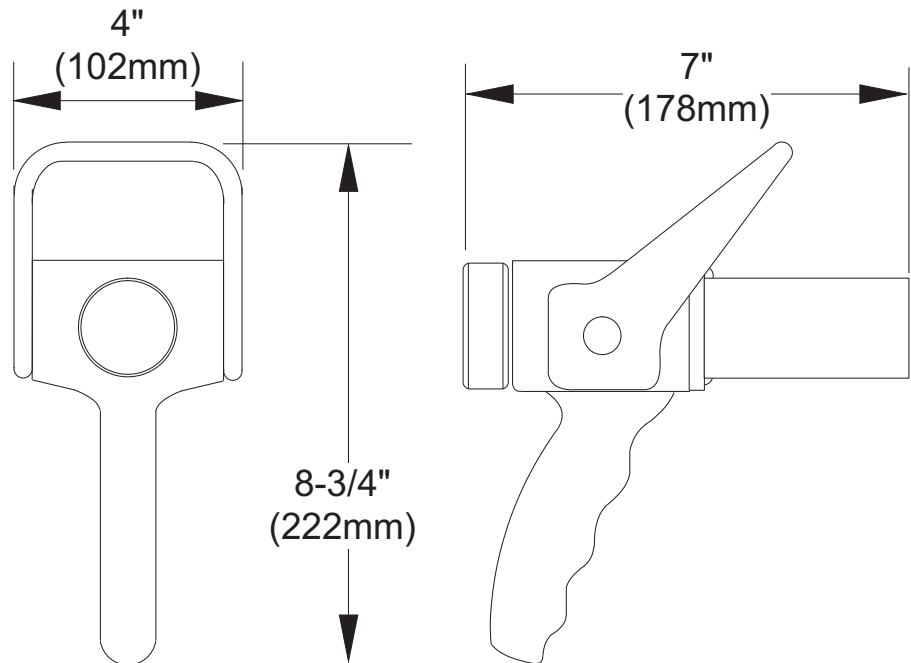
### Technical Data

*Weight:* ..... 2 lbs.

*Length:* ..... 7"

*Inlet Connection:*  
Aluminum swivel coupling

**Model SA  
Single Agent**



### ORDERING INFORMATION

Feecon Model DANA Nozzle

Part Number	Flow at 100 PSI (7 Bar)		Swivel Connection - Inch (mm)	
	Halotron	AFFF/Water	Halotron	AFFF/Water
3220-6045-6	5-7 PPS (2.3-3.1 Kg/S)	100 GPM (379 LPM)	1" NH (25)	1" NH (25)

### ORDERING INFORMATION

Feecon Model SA Nozzle

Part Number	Flow at 100 PSI (7 Bar)		Swivel Connection - Inch (mm)	
	Halotron	AFFF/Water	Halotron	AFFF/Water
3220-6047-1	5-7 PPS (2.3-3.1 Kg/S)	100 GPM (379 LPM)	1" NH (25)	1" NH (25)

### National Foam

350 East Union Street, West Chester, PA 19382, USA  
24hr **RED ALERT**® : 610-363-1400 • Fax: 610-524-9073  
[www.nationalfoam.com](http://www.nationalfoam.com)

National Foam operates a continuous program of product development. The right is therefore reserved to modify any specification without prior notice and National Foam should be contacted to ensure that the current issues of all technical data sheets are used.  
© National Foam