

MCS TYPE B STAINLESS STEEL FOAM MAKER & FOAM CHAMBER

NDD015

Approvals: UL, ULC

- Four Sizes
- Superior Foam Quality
- Operates At 30 PSI (2.1 bar) Minimum
- Tool Free Maintenance
- Corrosion Resistant 316 Stainless Steel Construction

Description

The Stainless Steel MCS Type B Foam Maker and Foam Chamber is designed to introduce expanded foam directly onto the surface of a flammable or combustible liquid for fire extinguishment and/or vapor suppression. Classified as a Type II discharge device in accordance with NFPA Standard 11, foam chambers deliver low expansion foam directly onto the fuel surface with a minimum of foam submergence and fuel agitation. Minimizing submergence and agitation increases the effectiveness of the foam blanket, resulting in more efficient operation, and superior extinguishing capabilities. Foam chambers have the added advantage of directing all their flow directly onto the product surface regardless of weather conditions, for the most effective utilization of foam resources. Foam chambers have a long history of timely and safe control of numerous incidents.

Foam chambers are compatible with all types of foam concentrate; protein, fluoroprotein, AFFF, and AR-AFFF. They are generally installed on the side wall of vertical storage tanks above the maximum product level. Piping coupled to the unit can be linked to a fixed foam proportioning system, or terminated a safe distance from the tank, where foam solution can be delivered via mobile fire apparatus or portable foam proportioning equipment.

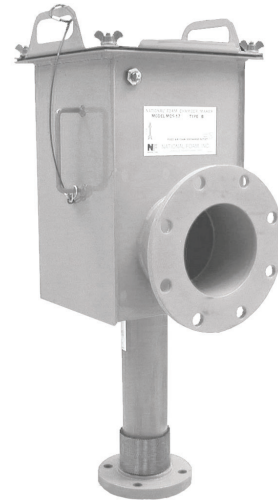
Features

- Four Sizes
- Superior Foam Quality
- Operates at 30 PSI (2.1 bar) minimum
- Tool Free Maintenance
- Corrosion Resistant 316 Stainless Steel

Operation

MCS Type B Foam Chambers produce foam by introducing air into the foam solution stream. Foam solution can be delivered to the foam chamber in a variety of ways as previously noted. The inlet of the foam maker is fitted with a factory installed high efficiency venturi jet which is designed to draw air into the foam solution stream. The high efficiency jet produces superior quality foam, and results in operating pressures 25% lower than previously possible, now as low as 30 PSI (2.1 bar).

Air is drawn into the foam maker through a series of annular holes located around the integral foam maker. To prevent obstruction, the air inlet holes are protected by a stainless steel screen selected with a perforation size designed to exclude most known nesting birds and insects. The open area of the screen is designed to be no less than the total area of the foam maker air inlet holes.



The aerated foam solution then passes through a series of precisely designed mechanical agitation devices which maximize foam expansion, and enhance drainage time. The expanded foam then passes into the foam chamber body which is designed to further enhance expansion, and reduce the velocity of the foam stream prior to discharge onto the product surface.

The foam chamber is fitted with a graphite and teflon frangible vapor seal located at the inlet to the discharge pipe connected to the storage tank. The vapor seal prevents the escape of product vapors into the atmosphere and/or foam system piping. The exclusive location of the vapor seal in the discharge piping, also prevents the escape of product into the foam chamber in the event of an overflow situation.

The flow of expanded foam ruptures the vapor seal at a predetermined pressure, allowing the foam to enter the tank. As the foam exits the foam chamber, it impacts the deflector which is designed to direct the flow against the wall of the tank to reduce the amount of foam submergence into the product, as well as dispersing it to each side for more complete coverage.

Approvals and Listings

- UL Listed
- ULC Listed

MCS TYPE B STAINLESS STEEL FOAM MAKER & FOAM CHAMBER

NDD015

Specifications

The foam chamber assembly shall be of stainless steel construction. The entire assembly shall consist of the foam chamber body with integral double aeration foam maker, factory installed integral venturi style jet, deflector, deflector mounting hardware, and gaskets. A lifting lug designed to support the weight of the assembly shall be provided. The foam deflector shall be available in split or shallow configurations, and shall be suitable for bolting. The foam chamber body shall contain a frangible vapor seal positioned to prevent condensation and product vapors from entering the foam chamber body. The vapor seal shall be designed to rupture with a minimum inlet pressure of 30 PSI (2.1 bar) at the inlet to the foam chamber and shall withstand a maximum back pressure of 1.0 PSI (0.07 bar), or equal to 27 in. (686 mm) of water, as specified by API for welded storage tanks. The vapor seal is fabricated of graphite with a Teflon seal and is compatible with a wide range of corrosive chemicals. The vapor seal shall be a fully self-contained disc and shall not require adhesives, sealants, or loose gaskets to accomplish sealing. The vapor seal shall be held in place by a brass holder.

Access to the frangible vapor seal shall be accomplished through a removable top cover, without the need to remove retaining nuts. All nuts shall be designed to be captive to prevent loss.

All cover and vapor seal retaining hardware shall consist of stainless steel studs with brass nuts to resist galling, seizing, and corrosion. All stainless steel parts shall be abrasive blasted to SSPC-SP6 and passivated. Stainless Steel Chambers are delivered unpainted.

The foam maker and foam chamber shall be UL Listed for operation as low as 30 PSI (2.1 bar).

It shall be possible to test the foam maker and foam chamber assembly by removing the lid. Testing shall be accomplished with the vapor seal installed, and without damaging the seal. During testing the vapor seal shall prevent test solution from entering the storage tank. No external sealing devices shall be necessary to accomplish testing. A drain shall be provided in the bottom of the foam chamber to allow for draining of the test solution. The drain shall be operable without tools.

Interchangeability

MCS Type B Foam Makers and Foam Chambers are dimensionally equivalent to prior Model MCS and MCS Type A Foam Makers and Foam Chambers. All customer connection points are identical, eliminating the need for piping modifications when replacing earlier versions. Orifice plates and vapor seals from previous models are not compatible with MCS Type B.

Selection

Stainless Steel MCS Type B Foam Makers and Foam Chambers are available in four sizes to suit most requirements. Refer to the National Foam Engineering Manual, and the applicable design standards and local codes to determine the required flow rate for the application. The foam maker can be sized to provide any flow and pressure that falls within the operational limits of the foam maker. To select the correct size of foam maker, see the flow range charts on page 3, which show the operational limits of each foam maker. If the flow rate falls within the range of more than one unit, either size may be utilized. To determine the correct orifice, you must determine the design flow required and the available pressure at the foam maker inlet. Generally, the higher the operating pressure, the better the quality of the foam produced. The better

the foam quality, the more efficient the operation, therefore, it is beneficial to utilize the highest operating pressure economically feasible. After the flow and pressure have been determined, they can be plugged into the formula shown on page 3 to determine the actual orifice size required. Once the orifice size is determined, confirm that it falls within the orifice range shown for the selected size of foam maker. The required flow rate and inlet pressure must be specified when ordering.

Deflectors are available in split, shallow or split shallow configurations. The split deflector is designed to accommodate most installations, and can be installed from outside the tank. Shallow deflectors are intended for use when the tank is fitted with a floating roof which may pass over the deflector, minimizing possible damage to the roof seals. Shallow deflectors must be installed from inside the tank. The split shallow deflector is designed to accommodate most internal floating roof applications and can be installed from the outside of the tank. All Deflector mounting hardware is included.

Materials of Construction

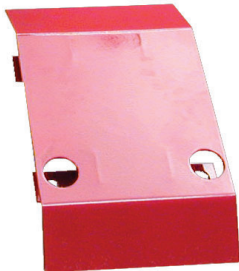
Body	Stainless Steel
Jet/Receiver	Brass
Deflector	Stainless Steel
Drain Assembly	Brass
Flange Gaskets	High Temp. Synthetic Fiber w/ Nitrile or EPDM Binders
Vapor Seal Disk	Teflon Coated Graphite
Vapor Seal Holder	Brass
Vapor Seal Gasket	Teflon
Wing Nuts	Brass w/SS Washer
Internal Studs and Nuts	Stainless Steel
Air Strainer	Stainless Steel
Finish	Abrasive blast to SSPC-SP6 and passivated

MCS TYPE B STAINLESS STEEL FOAM MAKER & FOAM CHAMBER

NDD015



Split Deflector



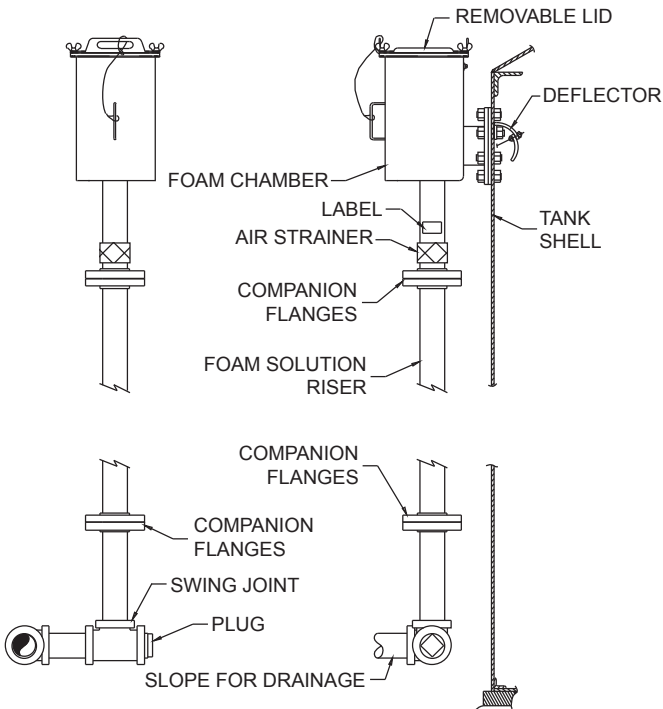
Shallow Deflector



Split Shallow Deflector

DEFLECTOR ORDERING INFORMATION			
SIZE	SPLIT DEFLECTOR	SHALLOW DEFLECTOR	SPLIT SHALLOW DEFLECTOR
MCS-9SS	1253-1652-2	1253-1652-3	1253-1763-2
MCS-17SS	1253-2652-2	1253-2652-3	1253-1765-2
MCS-33SS	1253-3652-2	1253-3652-3	1253-1767-2
MCS-55SS	1253-4652-2	1253-4652-3	1253-1769-2

When ordering please supply the following information: tank identification, tank size and type, product being stored, flow and inlet pressure at each foam chamber, deflector type, foam concentrate type, and percentage of concentration.



FOAM CHAMBER INLET RISER PIPE INSTALLATION

MCS TYPE B STAINLESS STEEL FOAM MAKER & FOAM CHAMBER

NDD015

Orifice Jet Sizing - MCS Type B Foam Makers

All foam makers shall be sized using the following formula:

Legend:

- Q - Flow in GPM (LPM)
- D - Diameter of Jet in Inches (MM)
- C - Coefficient of Discharge for the Jet (See Orifice Jet Sizing Chart)
- P - Pressure in PSI (BAR)

English

$$D = \sqrt{\frac{Q}{29.8 \times C \times \sqrt{P}}}$$

Metric

$$D = \sqrt{\frac{Q}{0.6659 \times C \times \sqrt{P}}}$$

The following are the maximum and minimum jet sizes for each foam maker size and the C factor for each jet:

MCS-9 (C = 0.920)

	English	Metric
Smallest Jet----- 0.504" (12.8016 mm) Dia	38.1 GPM@..... 30 PSI	144.4 LPM@..... 2.068 BAR
	49.1 GPM@..... 50 PSI	185.9 LPM@..... 3.447 BAR
	62.2 GPM@..... 80 PSI	235.5 LPM@..... 5.516 BAR
	69.6 GPM@..... 100 PSI	263.6 LPM@..... 6.895 BAR
Largest Jet----- 0.760" (19.3040 mm) Dia	86.7 GPM@..... 30 PSI	328.3 LPM@..... 2.068 BAR
	111.8 GPM@..... 50 PSI	423.2 LPM@..... 3.447 BAR
	141.6 GPM@..... 80 PSI	536.0 LPM@..... 5.516 BAR
	158.4 GPM@..... 100 PSI	599.4 LPM@..... 6.895 BAR

MCS-17 (C = 0.870)

Smallest Jet----- 0.721" (18.3134 mm) Dia	73.8 GPM@..... 30 PSI	279.4 LPM@..... 2.068 BAR
	95.2 GPM@..... 50 PSI	360.4 LPM@..... 3.447 BAR
	120.5 GPM@..... 80 PSI	456.1 LPM@..... 5.516 BAR
	134.8 GPM@..... 100 PSI	510.2 LPM@..... 6.895 BAR
Largest Jet----- 1.051" (26.6954 mm) Dia	156.9 GPM@..... 30 PSI	593.8 LPM@..... 2.068 BAR
	202.4 GPM@..... 50 PSI	766.1 LPM@..... 3.447 BAR
	256.2 GPM@..... 80 PSI	969.8 LPM@..... 5.516 BAR
	286.4 GPM@..... 100 PSI	1084.1 LPM@..... 6.895 BAR

MCS-33 (C = 0.973)

Smallest Jet----- 0.980" (24.8920 mm) Dia	152.5 GPM@..... 30 PSI	577.4 LPM@..... 2.068 BAR
	196.8 GPM@..... 50 PSI	745.0 LPM@..... 3.447 BAR
	249.0 GPM@..... 80 PSI	942.6 LPM@..... 5.516 BAR
	278.5 GPM@..... 100 PSI	1054.1 LPM@..... 6.895 BAR
Largest Jet----- 1.530" (39.8620 mm) Dia	371.8 GPM@..... 30 PSI	1407.3 LPM@..... 2.068 BAR
	479.6 GPM@..... 50 PSI	1815.5 LPM@..... 3.447 BAR
	607.0 GPM@..... 80 PSI	2297.7 LPM@..... 5.516 BAR
	678.8 GPM@..... 100 PSI	2569.4 LPM@..... 6.895 BAR

MCS-55 (C = 0.880)

Smallest Jet----- 1.457" (37.0078 mm) Dia	304.9 GPM@..... 30 PSI	1154.2 LPM@..... 2.068 BAR
	393.6 GPM@..... 50 PSI	1489.9 LPM@..... 3.447 BAR
	497.9 GPM@..... 80 PSI	1884.7 LPM@..... 5.516 BAR
	556.7 GPM@..... 100 PSI	2107.4 LPM@..... 6.895 BAR
Largest Jet----- 1.987" (50.4698 mm) Dia	567.1 GPM@..... 30 PSI	2146.7 LPM@..... 2.068 BAR
	731.6 GPM@..... 50 PSI	2769.4 LPM@..... 3.447 BAR
	926.0 GPM@..... 80 PSI	3505.2 LPM@..... 5.516 BAR
	1035.4 GPM@..... 100 PSI	3919.4 LPM@..... 6.895 BAR

MCS TYPE B

STAINLESS STEEL FOAM MAKER & FOAM CHAMBER

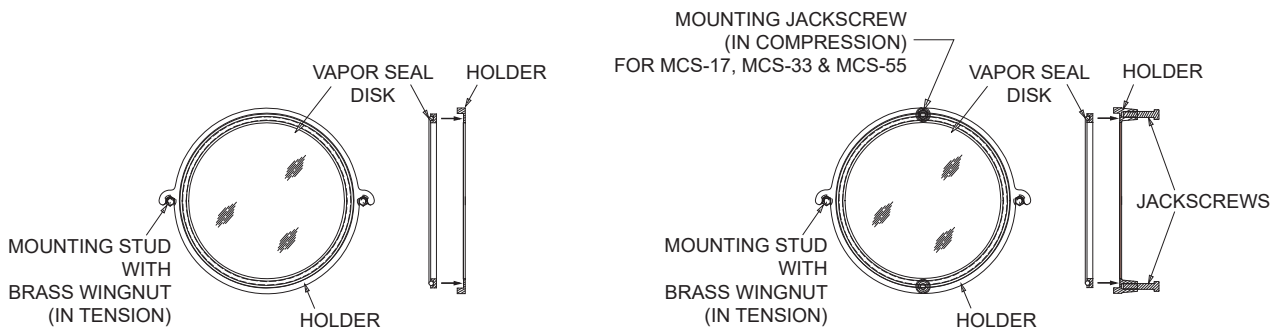
NDD015

Vapor Seal Ordering Information

Vapor Seal Disks are available with or without the holder. Foam chambers shipped after October 2003 are provided with the brass vapor seal holder and require the purchase of only the vapor seal.

Foam chambers shipped prior to October 2003 have a vapor seal cartridge (graphite vapor seal, Viton seal & stainless steel holder) which is no longer available. Replacement vapor seals for these chambers require the purchase of the vapor seal kit

with holder. Future replacements only require the replacement of the vapor seal after installation of the brass holder. See pages 5 and 6 for Vapor Seal and Holder Mounting.



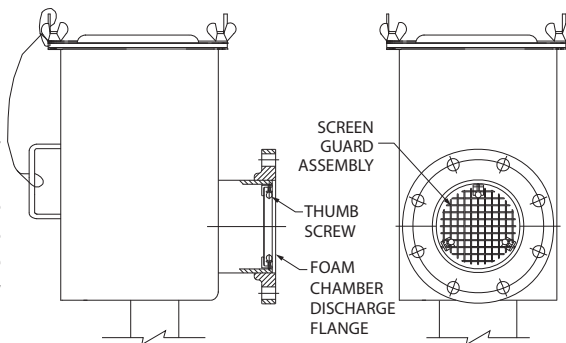
MCS-9
VAPOR SEAL & HOLDER MOUNTING

MCS-17, MCS-33 & MCS-55
VAPOR SEAL & HOLDER MOUNTING

VAPOR SEAL ORDERING INFORMATION			
SIZE	COMPATIBLE JET ORIFICE SIZE	VAPOR SEAL DISK	VAPOR SEAL KIT WITH HOLDER
MCS-9 Low Flow	.504 - .620	1253-1840-7	1253-1840-5
MCS-9 Hi Flow	.621 - .760	1253-1840-8	1253-1840-6
MCS-17	ALL SIZES	1253-2840-7	1253-2840-6
MCS-33	ALL SIZES	1253-3840-7	1253-3840-6
MCS-55	ALL SIZES	1253-4840-7	1253-4840-6

Foam Chamber Accessory - Screen Guard

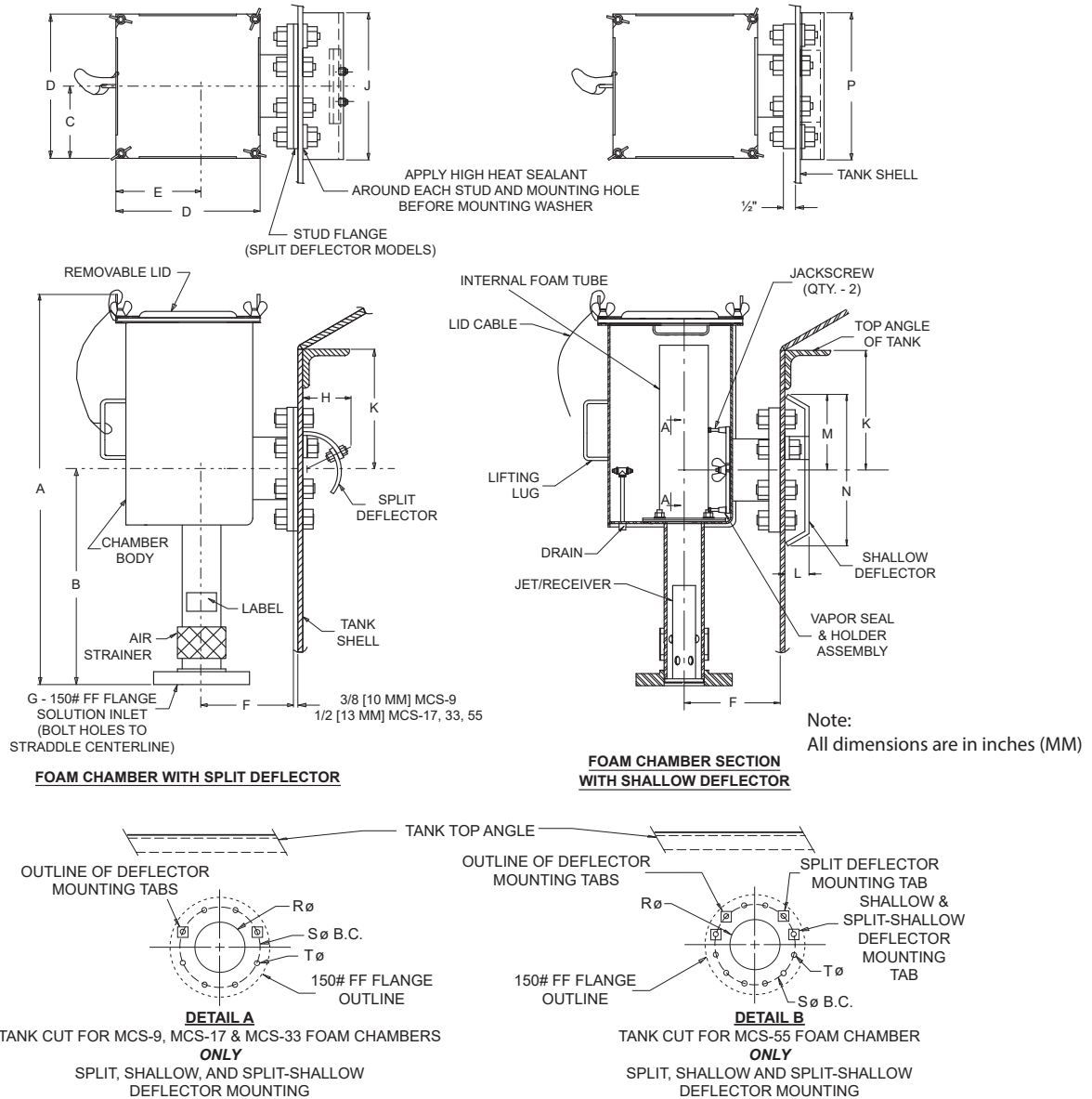
The Foam Chamber Screen Guard is designed to prevent birds and animals from entering the foam chamber through the chamber discharge flange opening. **NOTE: The Screen Guard is used on floating roof applications where the Vapor Seal is not used. The Screen Guard is ordered separately from the foam chamber.**



SCREEN GUARD ORDERING INFORMATION	
FOAM CHAMBER	SCREEN GUARD PART NUMBER
MCS-9	1253-1920-3
MCS-17	1253-2920-3
MCS-33	1253-3920-3
MCS-55	1253-4920-3

MCS TYPE B STAINLESS STEEL FOAM MAKER & FOAM CHAMBER

NDD015



TYPE	A	B	C	D	E	F	G	H	J	K	L	M	N	P	R	S	T	WEIGHT
MCS-9 Type B	29-1/2 (479)	15-1/4 (387)	5-1/2 (140)	11 (279)	6-1/2 (165)	7 (178)	2-1/2 (64)	4 (102)	12 (305)	8 (203)	1-11/16 (43)	5-3/4 (146)	14-1/4 (362)	8-1/2 (216)	4-5/8 (117)	7-1/2 (191)	3/4 (19)	83 (37.6)
MCS-17 Type B	35-13/16 (910)	19-9/16 (497)	6-1/2 (165)	13 (330)	7-1/2 (191)	9 (229)	3 (76)	4-1/2 (114)	18 (457)	9-1/2 (241)	1-11/16 (43)	6-1/2 (165)	16 (406)	12 (305)	6-3/4 (171)	9-1/2 (241)	7/8 (22)	125 (56.7)
MCS-33 Type B	39-5/16 (999)	20-13/16 (529)	7-1/2 (191)	15 (381)	8-1/2 (216)	10 (254)	4 (102)	6 (152)	24 (610)	11 (279)	1-11/16 (43)	8 (203)	24-1/2 (622)	16 (406)	8-3/4 (222)	11-3/4 (298)	7/8 (22)	188 (85.3)
MCS-55 Type B	46-5/16 (1176)	25-7/16 (646)	8-1/2 (216)	17 (432)	8-1/2 (216)	12 (305)	6 (152)	6-3/4 (171)	30 (762)	12 (305)	3-1/2 (89)	9 (229)	23-1/4 (591)	20 (508)	10-7/8 (276)	14-1/4 (362)	1 (25)	285 (129.3)