

KF40 PENDENT FOAM WATER NOZZLE

NDD415

- Aspirating Nozzle
- Lightweight, Investment Cast Welded, High-Grade Stainless Steel Construction
- NPT Inlet, BSP Inlet with Adapter Removed
- Special Order Inlets Available Upon Request
- AR-AFFF/AFFF and Protein Compatible



Description

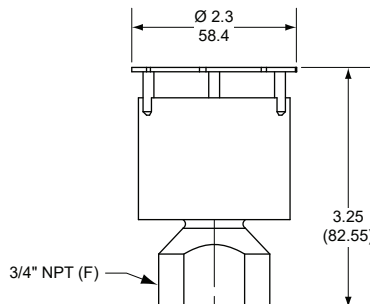
The KF40 pendent foam/water nozzle is constructed of stainless steel, and operates at a 3.1 K-factor. The nozzle shall be installed in fixed installations in the pendent position. The nozzle is aspirated and suitable for use with AR-AFFF/AFFF and Protein foam solutions.

Features

- Lightweight, investment cast welded, high-grade stainless steel construction
- NPT inlet (BSP w/ adapter removed)
- Special order inlets available upon request

Applications

Ideal loading racks, containment areas, and process areas.



Technical Data

Description:

Foam/Water Nozzle

Manufacturer:

National Foam

Model:

Pendent

K-factor:

3.1

Connection:

3/4" FNPT (w/ 3/4" BSP adapter)

Operating Range:

Minimum: 30 psi (2.07 bar)

Maximum: 100 psi (6.89 bar)

Materials of Construction:

Nozzle:

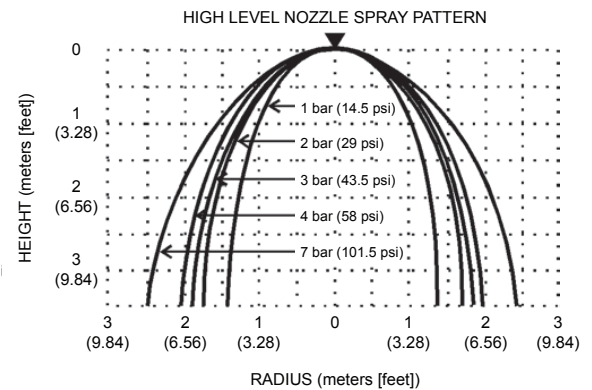
Body: 316 SS

Finish: Plain

BSP to FNPT Adapter:

Material: Brass

Flow / Pressure Chart	
Inlet Pressure psi (bar)	Foam Solution gpm (lpm)
100 (6.89)	31 (117)
80 (5.52)	28.7 (109)
70 (4.83)	26 (98)
50 (3.45)	22 (83)
30 (2.07)	16.5 (62)



Note: Typical print diameter = 3.9 m (12.8 ft) at 4 barg (58 psig) when mounted 2.5 m (8.2 ft) above ground.

ORDERING INFORMATION

Part Number	Description
1255-2834-4	KF40 Nozzle, Pendent 3/4 (F)NPT