

FOAM TOTE TRAILER

NME075

- Direct Nozzle Concentrate Pick-Up Connection To Tote Tank
- Will Carry Either 275 Or 330 Gallon Tote Tanks
- For Use With Self-Educting Nozzles Up To 1250 GPM
- DOT Compliant
- Additional Options Available to Configure Trailer to Customer Requirements



Description

The Foam Tote Trailer provides large storage capacity of foam concentrate along with the high performance delivery of The Gladiator® nozzle in a complete firefighting package which can be tailored to customer requirements. The trailer is for use with National Foam tote tanks in either the 275 gallon or the 330 gallon size. This portable firefighting package provides plenty of flexibility and fire power to your arsenal, and is available with a variety of options which allow you to pick, choose and custom build to suit your needs. Totally self contained and ready to put into service quickly.

Applications

The Tote Trailer is an ideal alternative to the handling of drums or pails or relying on a foam tanker during a major flammable liquid incident. With the pre-piped trailer mounted monitor, it can be placed into action immediately upon arrival on the scene, and does not require special positioning since the monitor piping allows for the water supply to be connected to either side of the trailer.

Standard Features

Note: Refer to NME076 Foam Tote Trailer Options Form for a complete list of available options.

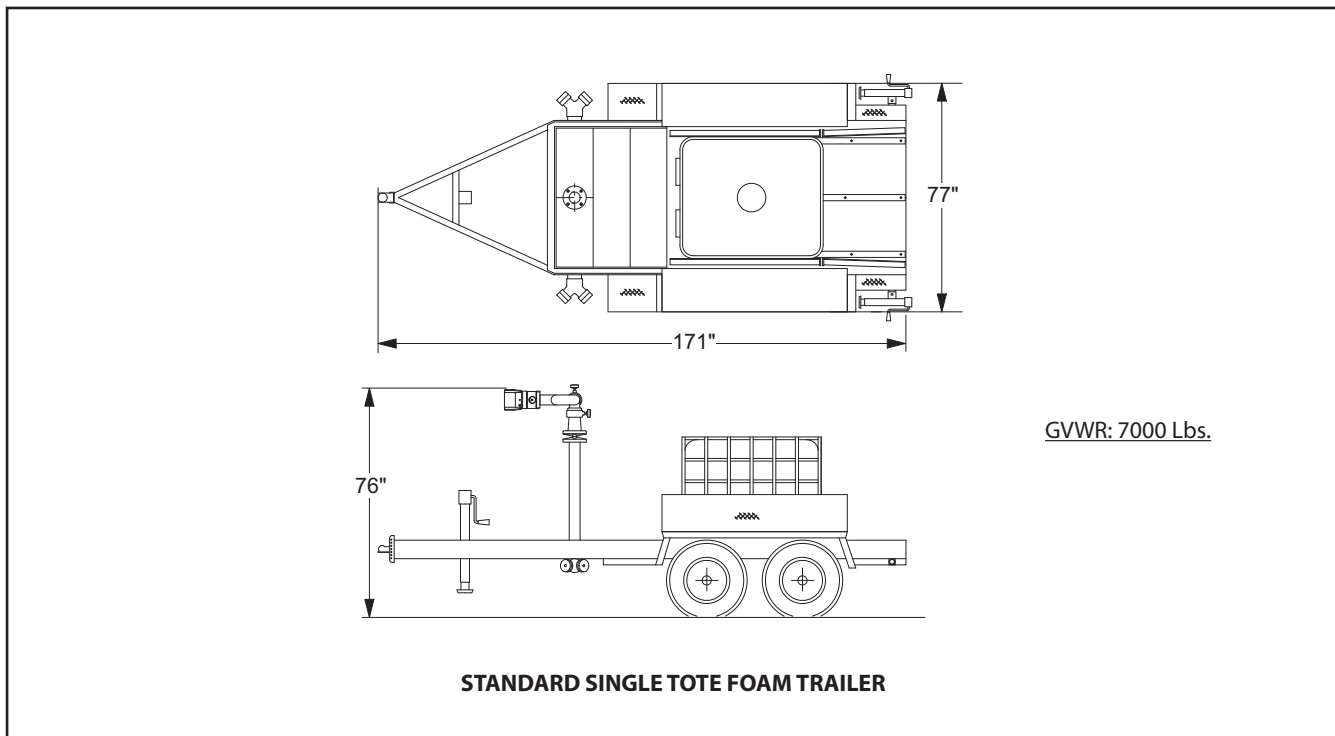
- **Foam Concentrate Storage:**
Each Tote Trailer is built to carry 275 - 1980 gallons of concentrate in any combination of tote sizes (275gal or 330gal). Trailers are shipped without totes as standard, empty totes are available if desired. Please indicate at time of order.
- **Fixed Waterway:**
Waterway constructed from a 4" Schedule 40 powder coated steel cross-pipe and a 3" Schedule 40 powder coated steel riser-pipe designed to withstand thrust reaction. The waterway is supplied by two 5" Storz capped inlet connections that can be adapted to two 2-1/2" clappered Siamese collectors. The waterway terminates at the base of the monitor with a Lever Lock Butterfly Valve. Specify the need for clappered collectors at time of order.
- **Monitor:**
Pre-piped single waterway aluminum monitor flows 1250 gpm maximum with minimum friction loss. The Monitor is designed for 360 degree rotation with positive lock and is built with stainless steel ball bearings at each swivel joint.

- **Nozzle:**
National Foam Gladiator Self-Educting foam nozzle comes standard in 500, 750, 1000 or 1250 gpm configurations. Each single gallonage constant flow nozzle is adjustable from straight stream to a fog pattern. Two (2) Pick-Up Hoses are provided, one (1) for connection to totes and one (1) with a wand for drawing foam from drums.
- **Wheels and Tires:**
Standard with heavy duty White Painted steel wheels with tires. Additional full size Spare Tire is provided stowed below the rear deck.
- **Foam Piping:**
All foam piping is 300 series stainless steel welded and passivated for maximum corrosion resistance, mounted below deck to provide the user with the safest, trip-free workspace possible. Quick Connect Cam Lock connectors are provided where valved connections pop up through the deck directly adjacent to the device to be connected. Totes are connected to a main trunk line with short flex hoses outfitted with Quick Connect Cam Lock connectors. The trunk line feeds all accessories mounted for mixing and disbursing foam. The entire system is designed for easy flushing after each use without diluting the foam tanks.

FOAM TOTE TRAILER

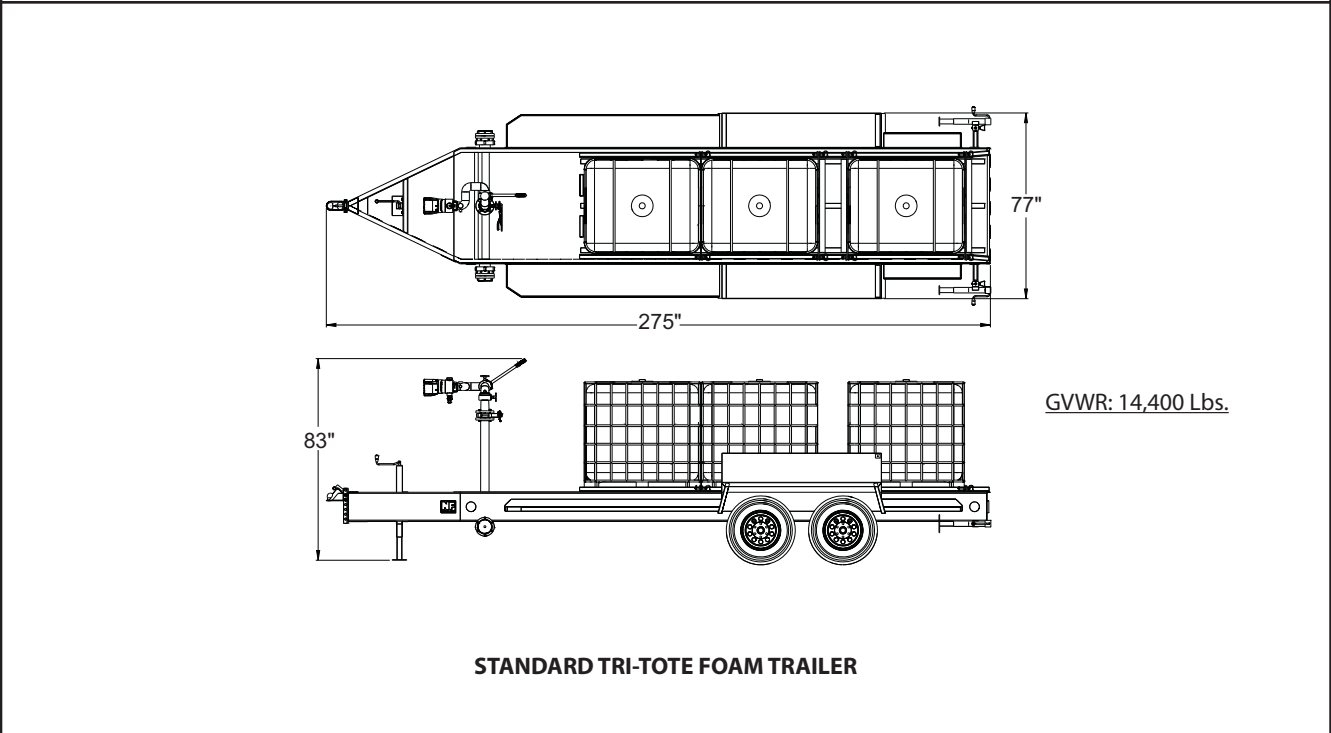
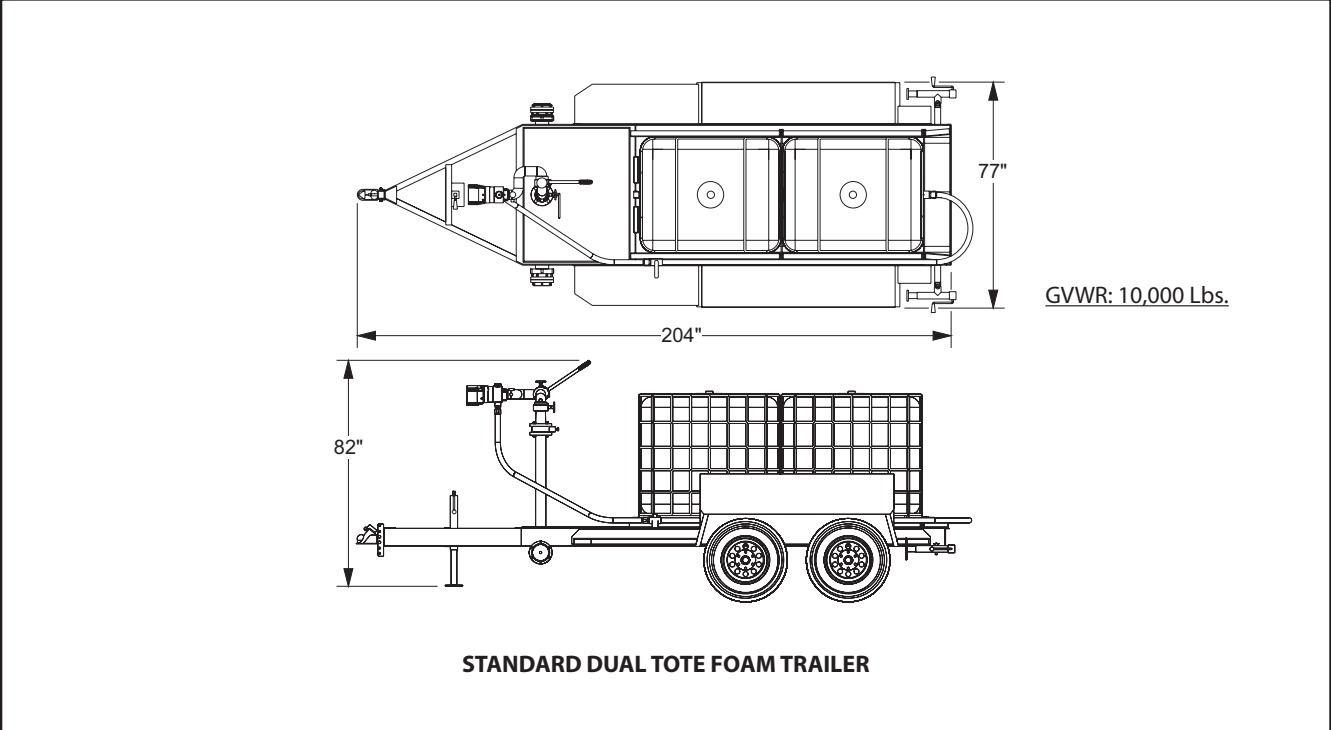
NME075

- **Hand Release Tote Locking System:**
All National Foam Tote Trailers are outfitted with a highway proven tote locking system. This enables the end user to quickly replace empty totes using no hand tools.
- **Replaceable Tote Deck Slides:**
All National Foam Tote Trailers are outfitted with replaceable S/S tote slides that can be replaced as they become worn from use.
- **Stabilizing Jacks / Wheel Chocks:**
All trailers are equipped with one 7,000 pound capacity drop-foot front jack and dual 5,000 pound capacity swing-down rear jacks for stabilization. Wheel chocks are provided with on-board stowing brackets.
- **Hose/Equipment Storage:**
Optional Large Diamond Plate aluminum hose bins, foam pail box or tool box located just above each fender:
 - » Hose flaking bins are ideal storage for 2-1/2", 3", 4" or 5" hose. Access at rear of hose bin. Hinged lid optional. Vinyl cover optional.
- » Foam pail box capable of holding 5-gallon pails. Hinged lid optional. Vinyl cover optional.
- » Hinged, locking tool box. Optional top or side access. Note: Four and six tote trailers are only available with under deck tool boxes.
- » Tongue box available for additional storage. Box, with hard hinged lid, built into tongue frame.
- **Independent Suspension:**
For added strength, the dual tote trailers are equipped with two heavy duty, maintenance free, independent suspension axles which provide superior stability on uneven roadways.
- **Electric Braking System:**
Each trailer comes standard with electric brakes on both axles. The complete system contains an emergency break-away with battery, an electric brake controller to mount in the towing vehicle, and a brake actuator.
- **Hitch:**
All hitches are supplied as adjustable height and convertible type assemblies. 2" ball standard for Single through Triple Tote Trailers, 3" Pintle Rings supplied for 4 Tote and 6 Tote Trailers. Alternate size Ball or Pintle Ring accessories available.
- **Lighting:**
All marker and road lighting is LED. DOT Compliant. All wiring is contained and protected for longevity
- **Work Surfaces:**
Standard non-skid coated deck meets requirements of NFPA 1901 and is non-marring and easily cleaned.
- **Finish:**
National Foam tote trailers are finished with red gloss powder coat for the ULTIMATE protection against the extremes of use and decal with white reflective striping on the sides and red and yellow chevrons at the rear to meet NFPA 1901.



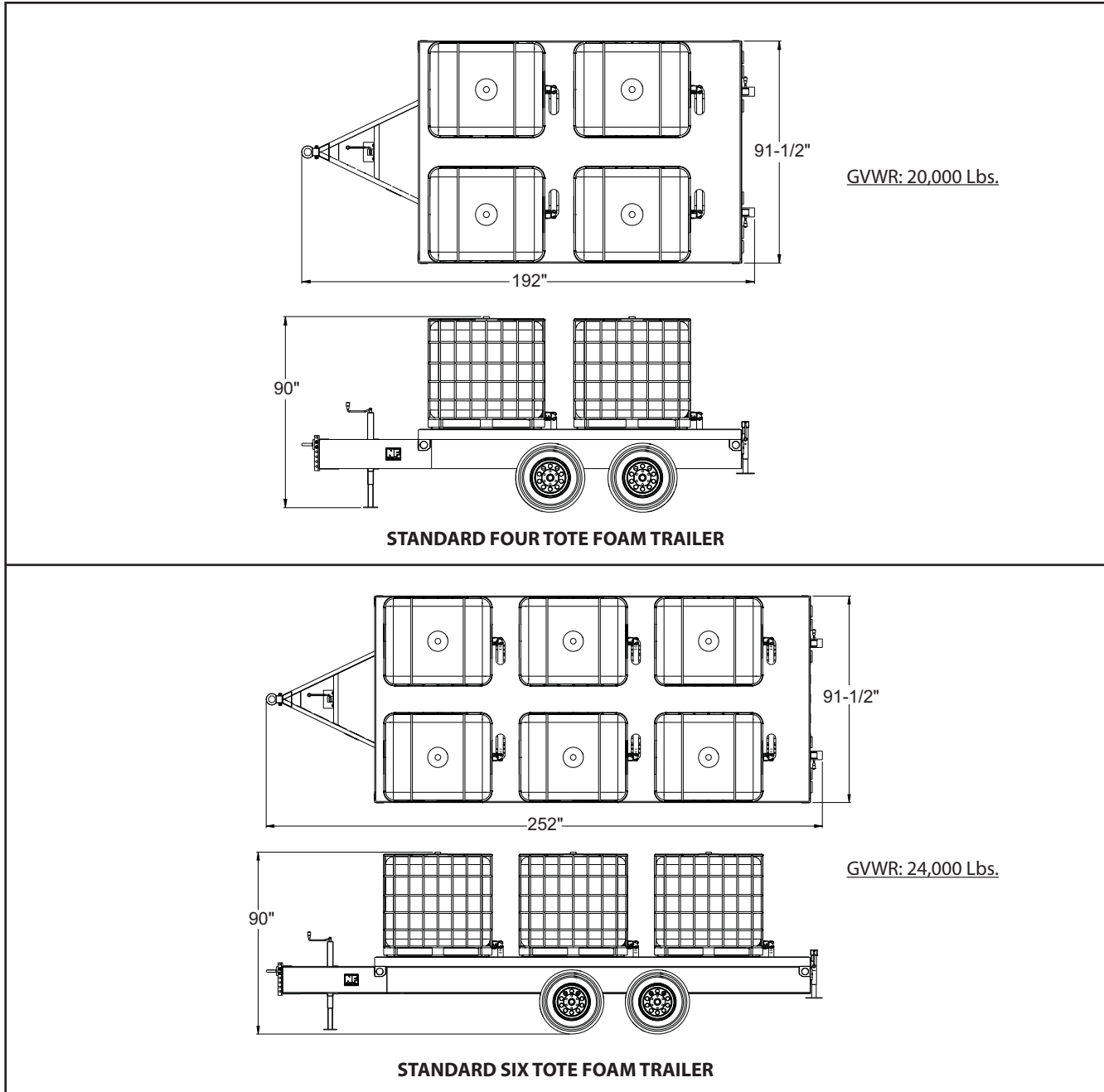
FOAM TOTE TRAILER

NME075



FOAM TOTE TRAILER

NME075



Ordering Information - Refer to Foam Tote Trailer Options Form NME076 for a complete list of available trailer options.

Note: Trailers do not include foam tote, foam concentrate or tote cover.