

COMPOUND GAUGE

NPR350

- Read Vacuum And Pressure
- Dual Scale PSI/KPA
- Liquid Filled For Stable Readings
- Suitable For All Foam Concentrates



Description

- Suitable for use with all foam concentrates
- Operates automatically utilizing foam concentrate line pressure

Specifications

Accuracy:

Within 1% of scale range

Bourdon Tube:

Silver soldered phosphor bronze tube with brass socket

Movement:

Phosphor bronze

Dial:

3-1/2" dia. white with black graduations and numerals. Dual scales; English and metric. 270° arc

Case:

Stainless steel case and ring, plastic lens, 1/4" NPT bottom connection

Fill Fluid:

Glycerine

Graduations:

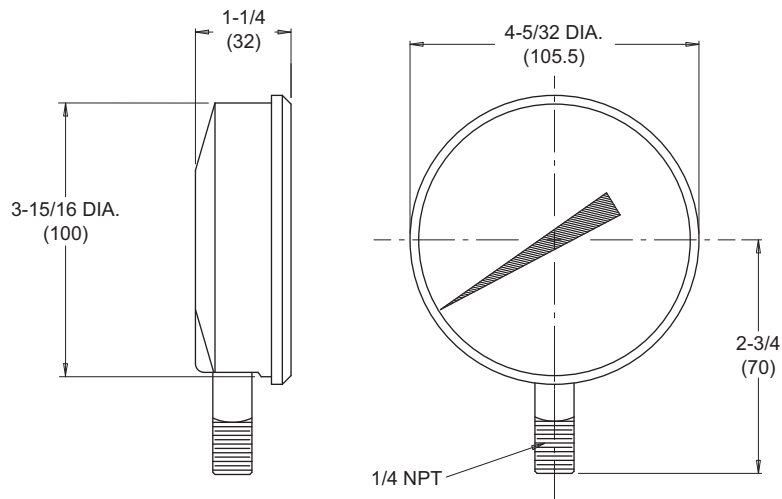
Figure intervals - 30 in. vacuum; 50 psi; 344 kpa. smallest graduations - 5 in. vacuum; 5 psi; 34 kPa.

Range:

0 to 30 in. HG. Vacuum; 0 to 150 psi; 0 to 1034 kPa.

Pointer:

Balanced Adjustable Black Pointer.



ORDERING INFORMATION

Part Number	Description
1234-1502-7	Compound Gauge, 0-30 Hg. Vac., 0-150 psi, 1/4 Bottom Mount 4-1/2 Brass and SS