

PRESSURE GAUGE

NPR360

- Stainless Steel Case
- Dual Scale English/ Metric
- Highly Visible 4-1/2" Face
- Liquid Filled
- 1% Accuracy
- 0 - 300 PSI (0 - 2068 KPA)



Description

- Suitable for use with all foam concentrates
- Operates automatically utilizing foam concentrate or water line pressure

Specifications

Accuracy:

Within 1% of scale range

Bourdon Tube:

Silver soldered phosphor bronze tube with brass socket

Movement:

Phosphor bronze

Dial:

4-1/2" dia. white with black graduations and numerals. Dual scales; English and metric. 270° arc

Case:

Stainless steel case and ring, plastic lens, 1/4" npt bottom connection

Fill Fluid:

Glycerine

Graduations:

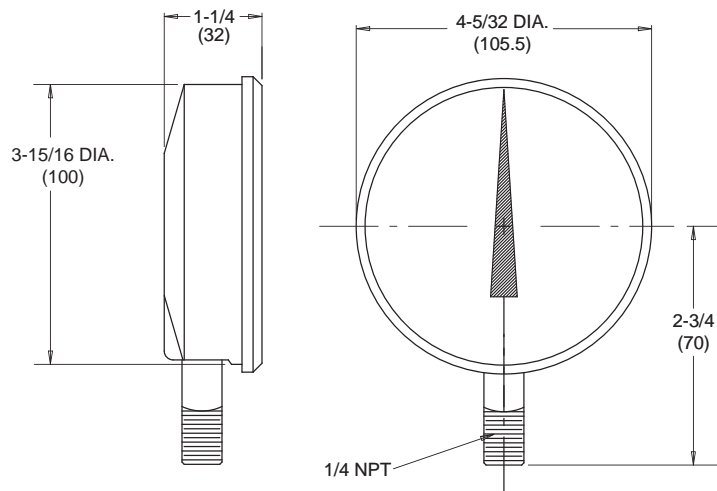
Figure intervals - 50 psi; 344 kpa.
Smallest graduations - 5 psi; 34 kpa.

Range:

0 to 300 psi; 0 to 2068 kPa

Pointer:

Balanced Adjustable Black Pointer.



ORDERING INFORMATION

Part Number	Description
1234-1664-4	Pressure Gauge, 0-300 psi, 1/4 NPT Bottom Mount 4-1/2 Brass and SS.