

2½" BRASS PRESSURE VACUUM VENT NPR400

- Easy Installation Even On Existing Tanks
- Compact, Corrosion Resistant
- Minimum Maintenance
- Protects Atmospheric Tanks From Failure During Operation
- Required By NFPA



Description

The Pressure Vacuum Vent is used with atmospheric type foam concentrate storage tanks, to minimize free air movement in the tank. The vent allows the tank to breathe as pressure in the tank increases or decreases due to temperature changes. It also allows the tank to vent during filling operations and as the tank is emptied during operation of the foam system. The pressure vacuum vent will minimize evaporation of the foam concentrate as well as reduce crusting and sedimentation of some foam concentrates.

Features

- Easy installation even on existing tanks
- Compact, corrosion resistant
- Ease of maintenance

Applications

- Atmospheric type foam concentrate storage tank vents

Technical Specifications

The Pressure Vacuum Vent shall be dead weight type. The vent shall minimize air flow to the tank by allowing the tank to breathe only when the pressure differential exceeds 16 oz. of pressure or 1-1/2 oz. of vacuum. The vent shall be cast brass and have a 2-1/2" FNPT connection. The pressure and vacuum

valves shall be supplied through a single vent opening, with a hood and screen, to prevent water and dirt from entering the valve. Flow capacity of the valve shall be as listed in the Technical Data.

Technical Data

Relief Setting:

Pressure.....16 oz./sq. in.
Vacuum 1-1/2 oz./sq./in.

Flow Capacity:

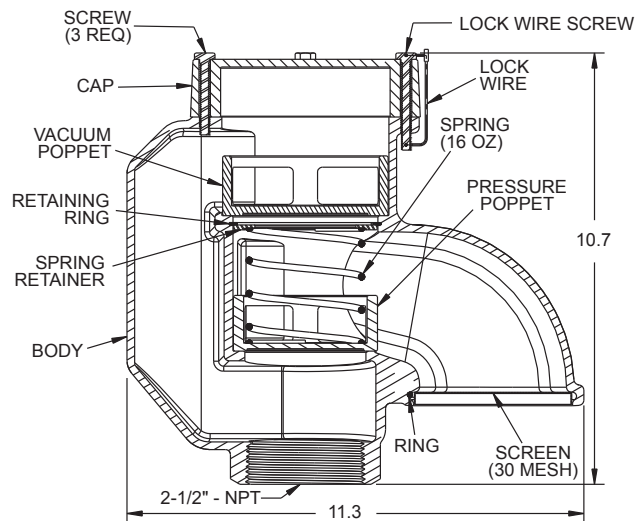
Nominal 5000 CFH (623 GPM) @
28 In H₂O Differential Pressure
(See Chart on Back Page)

Materials of Construction:

BodyBrass, C83600
Pressure Poppet..... Brass
Vacuum Poppet..... Brass
Vent Hood Brass
Screen..... Stainless Steel
Hardware Stainless Steel
Weight: 25.2 lbs.

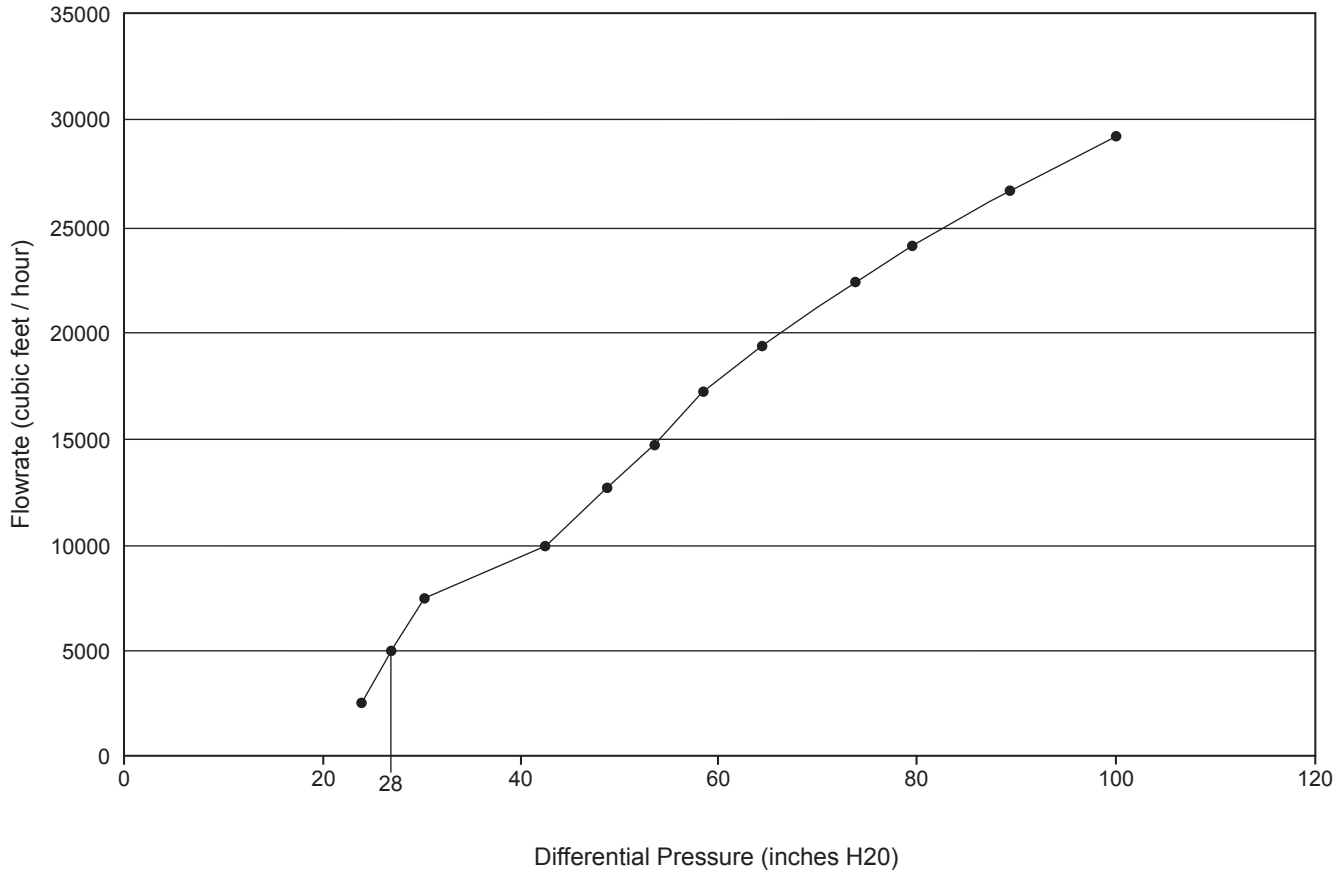
Approvals and Listings

- United States Coast Guard -
Approval Number: 162.017/179/0



**2 1/2" BRASS
PRESSURE VACUUM VENT
NPR400**

16 Oz.



ORDERING INFORMATION

Part Number	Description
1231-2104-3	2-1/2" Pressure Vacuum Vent